

Cabinet U-Handles

Stainless Steel

SPECIFICATION

Types

- Type **A**: Mounting from the back (threaded blind bore)
- Type **B**: Mounting from the operator's side

Handle

- Stainless steel AISI 304
- $d_1 = 20$: Solid material
 - $d_1 = 28$: Tube $\varnothing 28 \times 2$
 - Matte shot-blasted

Threaded bushing / Mounting stud

Stainless steel AISI 303

Grub screw for type B

- Stainless steel
- $d_1 = 20$: DIN 914-M5-6-NI
 - $d_1 = 28$: DIN 914-M6-8-NI



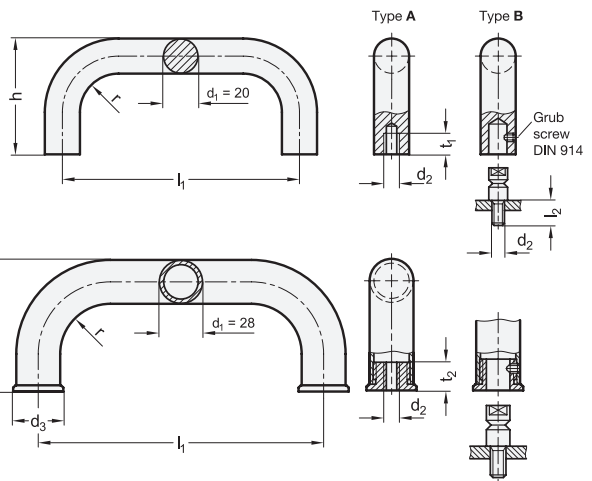
INFORMATION

Cabinet U-handles GN 426.5 can be mounted from the back (type A) as well as from the operator's side (type B). In this case the stud is first screwed in from the machine side and then the handle is pushed on and secured with the grub screw.

Both mounting methods allow the mounting of a pair of handles in opposite position. This method could be used e.g. on doors (double handle). In general, a mounting stud with special length l_2 might be required.

TECHNICAL INFORMATION

- Load Rating Information (see page A35)
- Stainless Steel Characteristics (see page A26)



GN 426.5-A

STAINLESS STEEL

Description	d_1	$l_1 \pm 0.5$	d_2	d_3	h	l_2	$r \approx$	t_1	t_2	
GN 426.5-20-200-A	20	200	M 8	-	68	20	22	15	-	680
GN 426.5-20-250-A	20	250	M 8	-	68	20	22	15	-	696
GN 426.5-20-300-A	20	300	M 8	-	68	20	22	15	-	900
GN 426.5-20-350-A	20	350	M 8	-	68	20	22	15	-	1080
GN 426.5-28-250-A	28	250	M 10	32	90	20	32	-	17	540
GN 426.5-28-300-A	28	300	M 10	32	90	20	32	-	17	580
GN 426.5-28-350-A	28	350	M 10	32	90	20	32	-	17	680
GN 426.5-28-400-A	28	400	M 10	32	90	20	32	-	17	729

GN 426.5-B

STAINLESS STEEL

Description	d_1	$l_1 \pm 0.3$ Threaded bore for mounting stud	d_2	d_3	h	l_2	$r \approx$	t_1	t_2	
GN 426.5-20-200-B	20	200	M 8	-	68	20	22	15	-	706
GN 426.5-20-250-B	20	250	M 8	-	68	20	22	15	-	829
GN 426.5-20-300-B	20	300	M 8	-	68	20	22	15	-	957
GN 426.5-20-350-B	20	350	M 8	-	68	20	22	15	-	1086
GN 426.5-28-250-B	28	250	M 10	32	90	20	32	-	17	560
GN 426.5-28-300-B	28	300	M 10	32	90	20	32	-	17	690
GN 426.5-28-350-B	28	350	M 10	32	90	20	32	-	17	720
GN 426.5-28-400-B	28	400	M 10	32	90	20	32	-	17	780